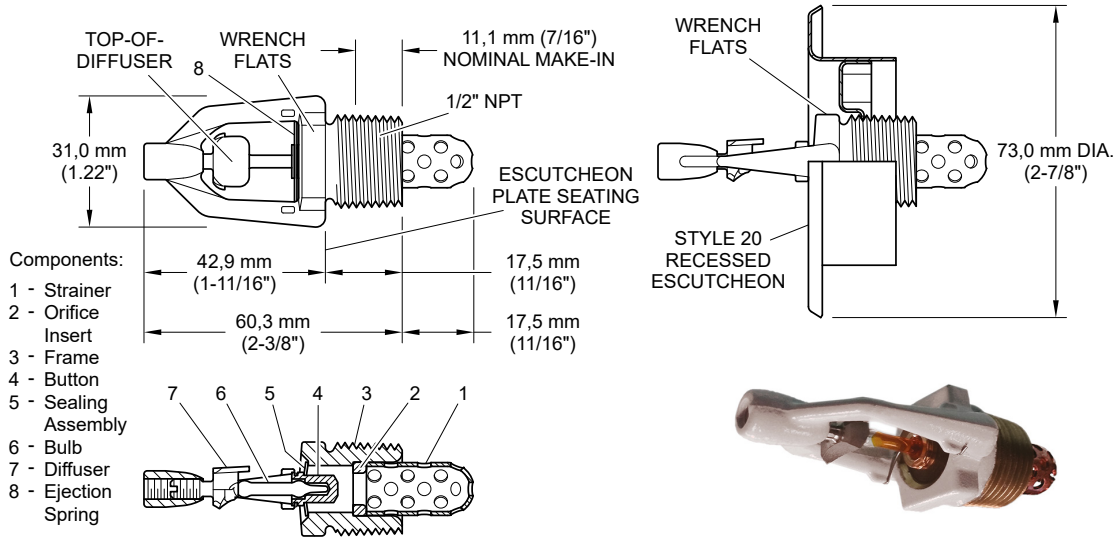


Ultra Low Flow AquaMist Nozzle Type ULF AM34 Horizontal Sidewall Automatic (Closed)

DATASHEET TFP2207.1 OCTOBER 2021

TYCO Ultra Low Flow AquaMist Nozzles Type ULF AM34 Horizontal Sidewall are closed (automatic) nozzles intended for use with engineered, water mist systems. They are water mist nozzles that utilize a single fluid jet impinging on a diffuser to produce a spray having a range of water droplet sizes suitable for the control of Class A fires.



Approvals
 TYCO Ultra Low Flow AquaMist Type ULF AM34 Horizontal Sidewall Nozzles are VdS approved when used as part of an engineered, wet-pipe water mist system. In particular, the VdS approval was performed in accordance with the accommodations portion of VdS test protocol "Protection of Office Spaces and Accommodation Areas with Water Mist Sidewall Sprinklers", dated April, 2016.

Specification	Description
Discharge Coefficient	K=25,9 lpm/bar ^{1/2} (K=1.8 gpm/psi ^{1/2})
Thread Connection	1/2 in. NPT
Response Time Index (RTI)	Quick Response
Finishes	Natural Brass, Pure White (RAL9010) (Eastern Hemisphere sales only), Signal White (RAL9003) (Previously known as Bright White), Chrome Plated
Temperature Rating	57°C (135°F)

Table A: Technical Data

Part	Material	Part	Material
Frame	Brass	Sealing Assembly	Beryllium Nickel w/TEFLON
Inlet Strainer, 3,2 mm (0.125 in.) nominal diameter perforations	Copper	Ejection Spring	Stainless Steel
Orifice Insert, 7,54 mm (0.297 in.) nominal diameter waterway (orifice)	Bronze	Bulb	Glass
Button	Bronze	Diffuser	Stainless Steel

Table B: Physical Characteristics

Description	P/N
Type ULF AM34 Horizontal Sidewall AquaMist Nozzle	Refer to Technical Document TFP2207 for Part Numbers
Style 20 Recessed Escutcheon	Refer to Technical Document TFP770 for Part Numbers
W-Type 6 Wrench	560006387
W-Type 7 Recessed Wrench	568504001

Table C: Part Numbers

© 2021 Johnson Controls. All rights reserved. All specifications and other information shown were current as of document revision date and are subject to change without notice.

TEFLON is a trademark of The Chemours Company FC, LLC