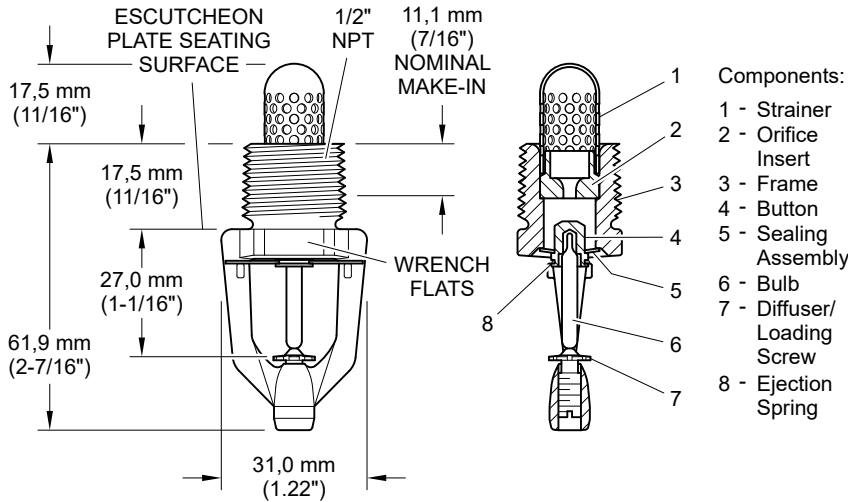


TYCO Ultra Low Flow AquaMist Nozzles Type ULF AM6 are closed (automatic) nozzles intended for use with engineered, water mist systems. They are water mist nozzles that utilize a single fluid jet impinging on a diffuser to produce a spray having a range of water droplet sizes suitable for the control of Class A and B fires. For flush installations, use the Style 20 Escutcheon.



| Specification | Description |
|---------------------------|--|
| Discharge Coefficient | $K = 4,7 \text{ lpm/bar}^{1/2}$ (0.33 gpm/psi ^{1/2}) |
| Thread Connection | 1/2 in. NPT |
| Response Time Index (RTI) | Quick Response |
| Finishes | Stainless Steel, Natural Brass, Pure White (RAL9010) (Eastern Hemisphere sales only), Signal White (RAL9003) (Previously known as Bright White), Chrome Plated |
| Temperature Ratings | 57°C (135°F), 68°C (155°F), 79°C (175°F), 93°C (200°F) |

Table A: Technical Data

| Part | Material Stainless Steel Nozzle Only | Material All Other Nozzle Finishes | Notes |
|------------------------|---|---------------------------------------|---|
| Frame | Stainless Steel | Brass | |
| Inlet Strainer | Stainless Steel | Bronze | 2,00 mm (0.079 in.) nominal diameter perforations |
| Orifice Insert | Stainless Steel | Bronze | 2,67 mm (0.105 in.) nominal diameter waterway (orifice) |
| Button | Stainless Steel | Bronze | |
| Sealing Assembly | Beryllium Nickel w/TEFLON | Beryllium Nickel w/TEFLON | |
| Ejection Spring | Stainless Steel | Stainless Steel | |
| Bulb | Glass | Glass | |
| Diffuser/Loading Screw | Stainless Steel | Bronze | |

Table B: Physical Characteristics

| Description | Part Number |
|------------------------------|--|
| Type ULF AM6 AquaMist Nozzle | Refer to Technical Document TFP2206 for Part Numbers |
| Style 20 Recessed Escutcheon | Refer to Technical Document TFP770 for Part Numbers |
| W-Type 6 Wrench | 560006387 |

Table C: Part Numbers

© 2021 Johnson Controls. All rights reserved. All specifications and other information shown were current as of document revision date and are subject to change without notice.

TEFLON is a registered trademark of The Chemours Company FC, LLC