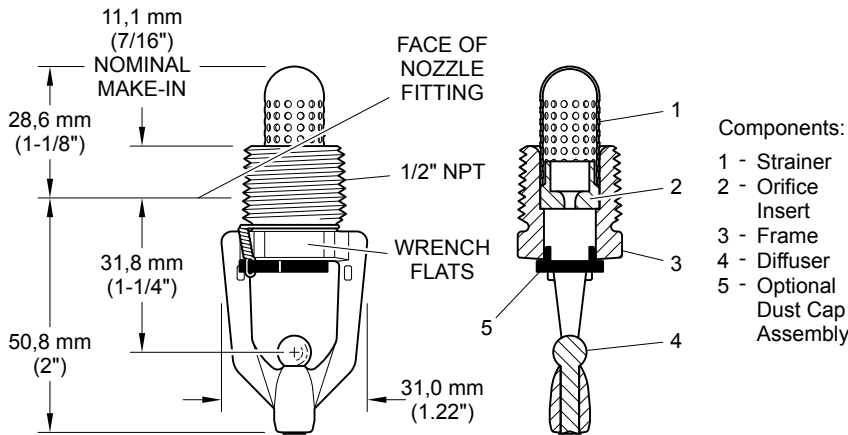


The TYCO Type AM10 and AM10B AquaMist Nozzles are stainless steel, open (non-automatic) nozzles intended for use with total compartment, engineered, water mist deluge systems. They are intermediate pressure nozzles which utilize a single fluid jet impinging on a diffuser to produce a spray having a range of water droplet sizes suitable for the extinguishment of Class B fires, as well as incidental Class A fires.



Specification	Description
Minimum Working Pressure	See specific application Design, Installation, Operation and Maintenance Manual TFP2240
Maximum Working Pressure	17,2 bar (250 psi)
Discharge Coefficient	$K = 3,5 \text{ LPM}/\text{bar}^{1/2}$ ($K = 0.24 \text{ GPM}/\text{psi}^{1/2}$)
Thread Connection	1/2 in. NPT
Finish	Stainless Steel

Table A: Technical Data

Part	Material	Notes
Frame	Stainless Steel	
Strainer	Stainless Steel	1,52 mm (0.060 in.) nominal diameter perforations
Orifice Insert	Stainless Steel	2,31 mm (0.091 in.) nominal diameter waterway (orifice)
Diffuser	Stainless Steel	
Dust Cap	Buna-N/Fluorosilicone	

Table B: Physical Characteristics

Description	Part Number
Type AM10 AquaMist Nozzle	492070001
Type AM10 AquaMist Nozzle with Buna-N Dust Cap	492070011
Type AM10B AquaMist Nozzle with Fluorosilicone Dust Cap	492070201
Replacement Model F885 Buna-N Dust Cap Assembly	568850001 (Refer to TFP2299 for installation instructions)
Replacement Model F885 Fluorosilicone Dust Cap Assembly	28247 (Refer to TFP2299 for installation instructions)
W-Type 6 Wrench	560006387

Table C: Part Numbers