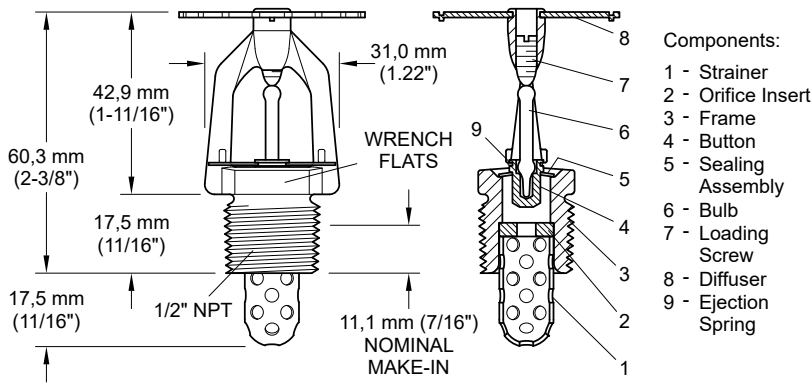


TYCO Ultra Low Flow AquaMist Nozzles Type ULF AM30 are closed (automatic) nozzles intended for use with engineered, water mist systems. They are water mist nozzles that utilize a single fluid jet impinging on a diffuser to produce a spray having a range of water droplet sizes suitable for the control of Class A fires and the protection of data centers.



Specification	Description
Approvals	FM Approved (Refer to Technical Document TFP2201 for Details) VdS Approved (Refer to Technical Document TFP2201 for Details)
Discharge Coefficient	$K=8,5 \text{ lpm/bar}^{1/2}$ ( $K=0.59 \text{ gpm/psi}^{1/2}$ )
Thread Connection	1/2 in. NPT
Response Time Index (RTI)	Quick Response
Finish	Natural Brass
Temperature Ratings	57°C (135°F), 68°C (155°F), 79°C (175°F), 93°C (200°F), 141°C (286°F), 182°C (360°F)

Table A: Technical Data

Part	Material	Notes
Frame	Brass	
Strainer	Copper	3,2 mm (0.125 in.) nominal diameter perforations
Orifice Insert	Bronze	4,4 mm (0.172 in.) nominal diameter waterway (orifice)
Button	Bronze	
Sealing Assembly	Beryllium Nickel w/TEFLON	
Ejection Spring	Stainless Steel	
Bulb	Glass	
Diffuser	Bronze	
Loading Screw	Bronze	

Table B: Physical Characteristics

Description	P/N
Type ULF AM30 AquaMist Nozzle	Refer to Technical Document TFP2201 for Part Numbers
W-Type 6 Wrench	560006387

Table C: Part Numbers