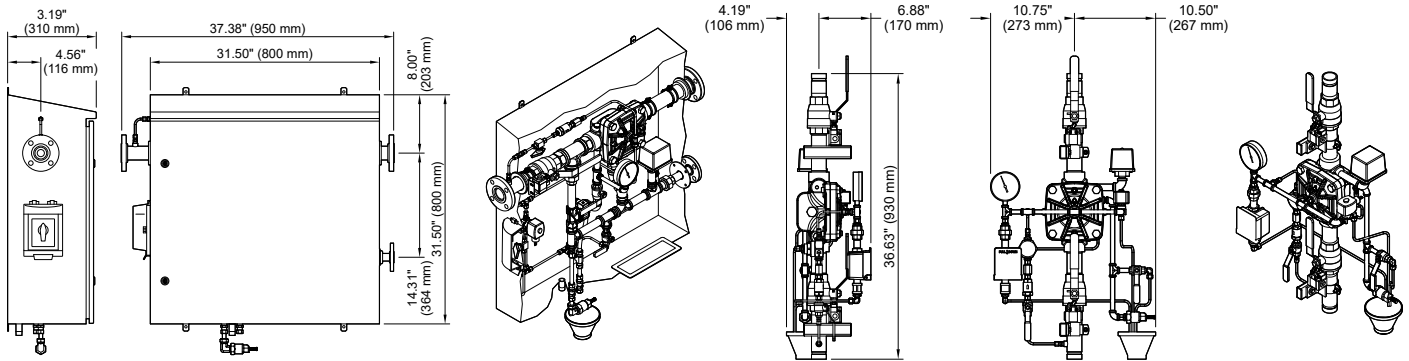


The TYCO Industrial Fryer Protection (IFP) AquaMist Zone Control Valve Assembly is utilized in the IFP water mist system designed to provide protection from industrial fryer hazards. There are three configurations available for the IFP Zone Control Valve Assembly: Dual Zone and Single Zone (horizontal with cabinet) and Vertical Single Zone.



Specification	Description
Approvals	Component of the FM Approved water mist system for IFP Application
Supply and System Discharge Connections	DN40 (1 1/2 in.) Flanges per ANSI B 16.5
Fines Box Discharge Connection	DN20 (3/4 in.) Flange per ANSI B 16.5

Table A: Technical Data

Part	Material
Cabinet	Stainless Steel
Valves	Stainless Steel
Tubing and Fittings	Stainless Steel

Table B: Single and Dual Zone Control Valve Assembly Physical Characteristics

Part	Material
MC Switch	Glass Filled Nylon
Supervisory Switch	Nylon, Powder Coated Steel
Drain Cup	ABS Plastic
Solenoid Cover	ABS Plastic
Valves	Stainless Steel
Tubing and Fittings	Stainless Steel

Table C: Vertical Single Zone Control Valve Assembly Physical Characteristics

Description	P/N
IFP Dual Zone Control Valve Assembly	C1002346
IFP Single Zone Control Valve Assembly	C1002347
IFP Vertical Single Zone Control Valve Assembly	1002548

Table D: Part Numbers