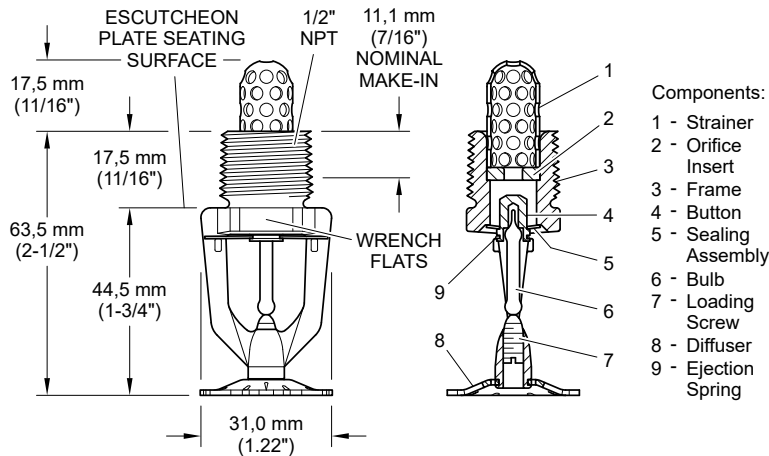


TYCO Ultra Low Flow AquaMist Nozzles Type ULF AM29 are closed (automatic) nozzles intended for use with engineered, water mist systems. They are water mist nozzles that utilize a single fluid jet impinging on a diffuser to produce a spray having a range of water droplet sizes suitable for the control of Class A fires and the protection of data centers. For recessed installations, use the Style 20 Escutcheon.



- Components:
- 1 - Strainer
 - 2 - Orifice Insert
 - 3 - Frame
 - 4 - Button
 - 5 - Sealing Assembly
 - 6 - Bulb
 - 7 - Loading Screw
 - 8 - Diffuser
 - 9 - Ejection Spring



Specification	Description
Approvals	FM Approvals per application (Refer to Technical Document TFP2229 for Details)
Discharge Coefficient	$K = 8,5 \text{ lpm}/\text{bar}^{1/2}$ ($K = 0.59 \text{ gpm}/\text{psi}^{1/2}$)
Thread Connection	1/2 in. NPT
Response Time Index (RTI)	Quick Response
Finishes	Natural Brass, Pure White (RAL9010) (Eastern Hemisphere sales only), Signal White (RAL9003) (Previously known as Bright White), Chrome Plated
Temperature Ratings	57°C (135°F), 68°C (155°F), 79°C (175°F), 93°C (200°F), 141°C (286°F), 182°C (360°F)

Table A: Technical Data

Part	Material	Notes
Frame	Brass	
Inlet Strainer	Copper	3,2 mm (0.125 in.) nominal diameter perforations
Orifice Insert	Bronze	4,4 mm (0.172 in.) nominal diameter waterway (orifice)
Button	Bronze	
Sealing Assembly	Beryllium Nickel w/TEFLON	
Ejection Spring	Stainless Steel	
Bulb	Glass	
Diffuser	Bronze	
Loading Screw	Bronze	

Table B: Physical Characteristics

Description	Part Number
Type ULF AM29 AquaMist Nozzle	Refer to Technical Document TFP2229 for Part Numbers
Style 20 Recessed Escutcheon	Refer to Technical Document TFP770 for Part Numbers
W-Type 6 Wrench	560006387
W-Type 7 Recessed Wrench	568504001

Table C: Part Numbers

© 2021 Johnson Controls. All rights reserved. All specifications and other information shown were current as of document revision date and are subject to change without notice.

TEFLON is a trademark of The Chemours Company FC, LLC